

Data Sheet

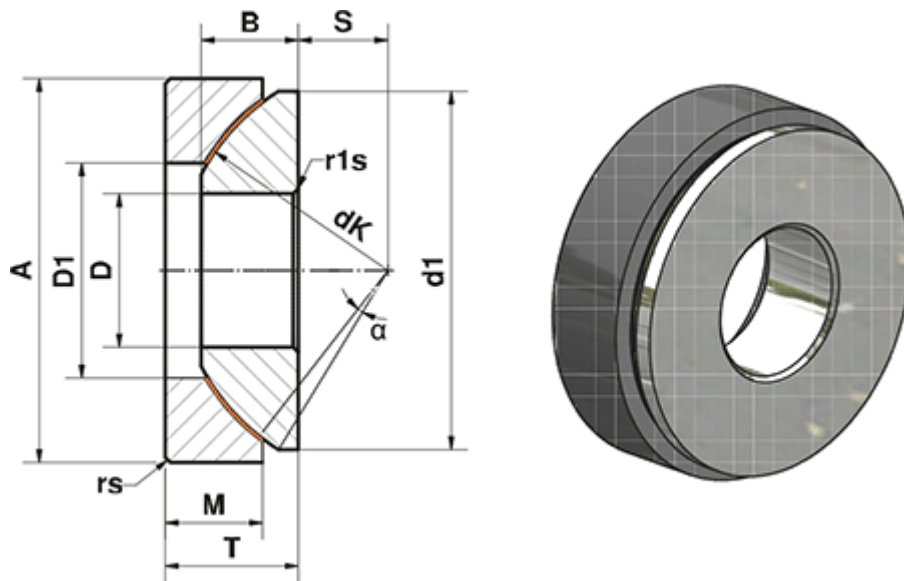


Article number: 03450220

Description: Fluro Heavy Duty Spherical Plain Bearing GE 220 AWE
Hole \varnothing 220

Note: 220

Measures



A	= 270	M	= 67
a (degrees)	= 7	rs, r1s min	= 1.5
B	= 82	S	= 75
D	= 220	Static load C0 (kN)	= 14119
D1	= 265.5	T	= 97
d1 min	= 350	Weight (g)	= 44700
dK	= 388		
Dynamic load C (kN)	= 8471		